

**MULTISOURCE**  
**TECHNOLOGIES CC**

Reg. No. CC/CK 2002/057161/23

# Specification for approval

Customer: \_\_\_\_\_

Product: High power Led bulb

Part No.: **SEL601**

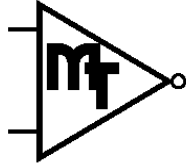
Ref. No: SEL601-6W

Date: 2008-10-29

Made by Multisource Technologies			
Production Dept	Q.C. Dept	Engineering Dept	Marketing Dept
S.Ismail	S.Ismail	W.Fourie	N.Bieber

Approved by			
Engineering Dept	Production Dept	Q.C. Dept	Manager

**SEL601-6W LED bulb Specification**



### 1. Features:

- × Low power consumption, nice lighting color
- ×Defending Electricity Leakage
- ×Easy to install, maintenance free, long lifespan
- ×No Ultraviolet (UV) rays or Infrared radiation (IR)
- ×Green product, compliant with ROHS and CE.

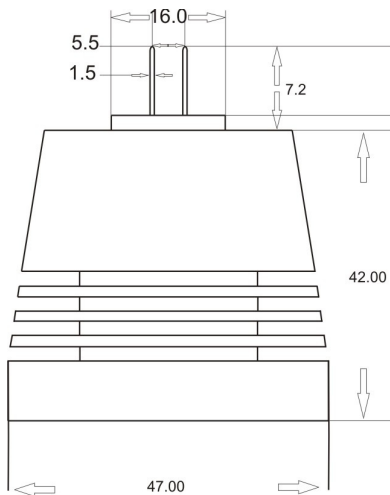
### 2. Application:

- × Residential lighting, commercial and office lighting, home decoration, hotel lighting, stores lighting, passage lighting, etc.

### Picture:

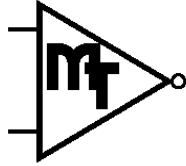


### 3. Package Dimensions (mm):



### 4. Absolute Maximum Rating at TA=25°C :

Part No.	Input Voltage	Socket type	Led lamp type (mm)	LED Quantity. (Pieces)	Color	Net Weight (g)
SEL601-6W	AC /DC 12V	MR16	SMD, 3528, 3 chip	30	White	94



## 5.Characteristic :

### Electronics And Optical Characteristics

(Ta=25°C)

Parameter	Symbol	Value			Unit
		Min	Typ	Max	
Color Coordinate Temperature	Peak	3200	5000	5500	K
Operating voltage	Vf	9	12	14	AC /DC
Forward Current (Single led)	Iv	35	37	45	mA
Input power consumption	P		5		W
Frequency	-	47	50	60	Hz
Luminous	Lm	500	520	540	lm
Light Efficiency	-	70	75	80	Lm/W
Viewing angle at 50% IV	Θ		120		Deg
Operating temperature	T <sub>o</sub>	-30	0	70	°C
Life time	-		50000		H

### Lumen Decrease

Operating time ( hours )	Lumen decrease [ % ]
1000	6
5000	10
10000	14

## **6.Caution:**

- 6.1 Applicable Voltage: AC/DC 9V~14V
- 6.2 Operating temperature: -30°C ~ +50°C
- 6.3 The power voltage is permitted in +10%~-10% fluctuating. If it's beyond the scope, it would influence lifespan, even power off or burnt out.
- 6.4 Make sure connecting wire is connected and sealed well to avoid defending Electricity Leakage.
- 6.5 Make sure it's waterproof protected, and no possible Water leakage before connecting it to a power supply.
- 6.6 Before maintenance, make sure the power cut off. After assembling it correctly, it can be connected to power source for use.
- 6.7 No breaking to any stipulation of fireproofing. Please ask Professional to install

## **7.After-sales service:**

All products are guaranteed to use in two years. Under the right and normal using condition, quality warranty is based on correct conservation, assemblage, and maintenance. As incorrect usage, and disobeying product operation, it's not guaranteed. To the problem within promised time, "Multisource Technologies" will solve it by repair, substitute accessories or replacement for your option. Upon exceeding the promised time, there will be material and maintenance fees to be paid by the customers.

## **9.After-sales service contact:**

TEL: +27-215523394    FAX: +27-215523794    E-mail: support@multisourcetech.co.za