

MULTISOURCE
TECHNOLOGIES CC

Reg. No. CC/CK 2002/057161/23

Specification for approval

Customer: _____

Product: LED Downlight / LED bulb

Part No.: **SDLM01**

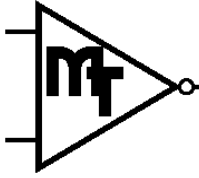
Ref. No: SDLM01-2W

Date: 2008-10-29

Made by Multisource Technologies			
Production Dept	Q.C. Dept	Engineering Dept	Marketing Dept
S.Ismail	S.Ismail	W.Fourie	J.Hulst

Approved by			
Engineering Dept	Production Dept	Q.C. Dept	Manager

SDLM01-2W LED bulb Specification



MULTISOURCE
TECHNOLOGIES CC

Reg. No. CC/CK 2002/057161/23

1. Features:

- ∅ Low power consumption, nice lighting color
- ∅ Defending Electricity Leakage
- ∅ Easy to install, maintenance free, long lifespan
- ∅ No Ultraviolet (UV) rays or Infrared radiation (IR)
- ∅ Green product, compliant with ROHS and CE.

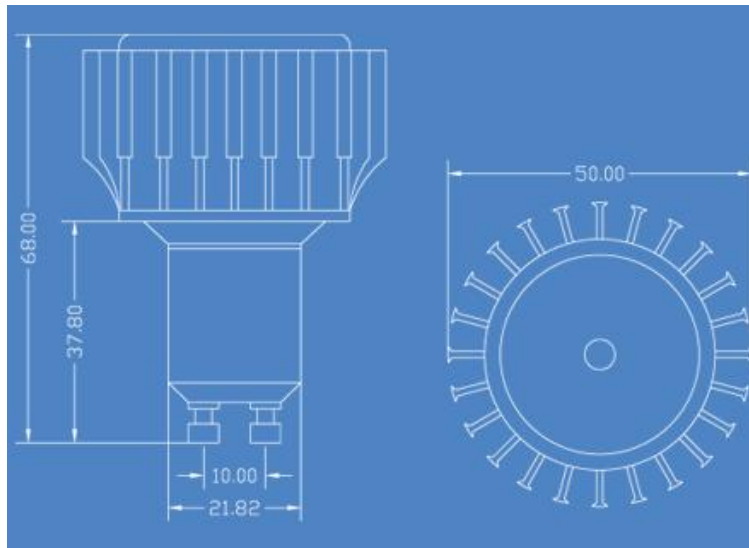
2. Application:

- ∅ Residential lighting, commercial and office lighting, home decoration, hotel lighting, stores lighting, passage lighting, etc.

Picture:

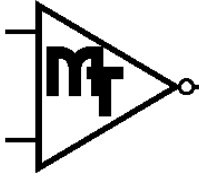


3. Package Dimensions (mm):



4. Absolute Maximum Rating at TA=25°C:

Part No.	Input Voltage	Socket type	Led lamp type (mm)	LED Quantity. (Pieces)	Color	Net Weight (g)
SDLM01-2W	110V-220V	GU10, E27, E14, B22	5mm	21	White	38



MULTISOURCE
TECHNOLOGIES CC

Reg. No. CC/CK 2002/057161/23

5.Characteristic :

Electronics And Optical Characteristics

(Ta=25°C)

Parameter	Symbol	Value			Unit
		Min	Typ	Max	
Color Coordinate Temperature	Peak	5000	5500	6000	K
Operating voltage	Vf	110	110~220	230	AC
Forward Current (Single led)	Iv	15	17	20	mA
Input power consumption	P	1.5	2	2.5	W
Frequency	-	47	50	60	Hz
Luminous	Lm	100	150	200	lm
Light Efficiency	-	40	45	50	Lm/W
Viewing angle at 50% IV	Θ		110		Deg
Operating temperature	T _o	-20	0	75	°C
Life time	-		50000		H

Lumen Decrease

Operating time (hours)	Lumen decrease [%]
1000	5
5000	10
10000	22

6. Caution:

- 6.1 Applicable Voltage: AC110~220V
- 6.2 Operating temperature: -30°C ~ +50°C
- 6.3 The power voltage is permitted in +10%~-10% fluctuating. If it's beyond the scope, it would influence lifespan, even unlighted or burnt out.
- 6.4 Make sure connecting wire is connected and sealed well to avoid defending Electricity Leakage.
- 6.5 Make sure waterproof protection, and no defending Water leakage before connecting to extra power supply.
- 6.6 Before maintenance, make sure the power cut off. After assembling right, it can be connected power to use.
- 6.7 No breaking to any stipulation of fireproofing. Please ask Professional to install

7. After-sales service:

All products are guaranteed to use in two years. Under the right and normal using condition, quality warranty is based on correct conservation, assemblage, and maintenance. As incorrect usage, and disobeying product operation, it's not guaranteed. To the problem within promised time, "Multisource Technologies" will solve it by repair, substitute accessories or replacement for your option. Upon exceeding the promised time, there will be material and maintenance fees to be paid by customers.

9. After-sales service contact:

TEL: +27-215523394 FAX: +27-215523794 E-mail: service@multisourcetek.co.za